

Highlights

- Rugged fiber optic measurement systems
- Several models: 62 Series, 6G Series, and 6R Series (operates in 2 color / ratio mode)
- 62 and 6G series include background compensation capabilities
- Modline 6 infrared thermometers permit measurement of targets in harsh industrial environments that are otherwise inaccessible by non-fiber optic thermometers
- Complete access to sensor settings and temperature indication from bright LED display
- Fiber cable rated to 315°C available on selected models
- Simultaneous analog and digital outputs

Modline 6

Datasheet



Electrical Specifications

Outputs	0/4-20 mA, RS485, 2-wire or 4-wire, networkable to 32 sensors Relay, 48 V, 300 mA, response time < 2 ms
Power Supply	24 VDC ±20%, 500 mA

General Specifications

Environmental Rating	IP65 (IEC529)
Ambient Temperature	
Optical head	0 to 315°C
Fiber cable	0 to 200°C, optional up to 315°C
Electronics housing	0 to 60°C
Storage Temperature	
Electronics housing	-20 to 70°C
Relative Humidity	10 to 95%, non-condensing
Shock	
Electronics housing	IEC 68-2-27
Vibration	
Electronics housing	IEC 68-2-6
Weight	
Optical head	100 g
Electronics housing	710 g
Fiber Cable Protection	rated to 200°C (optional up to 315°C), stainless steel armour, Viton coated, IP65, provision for conduit to protect fiber cable

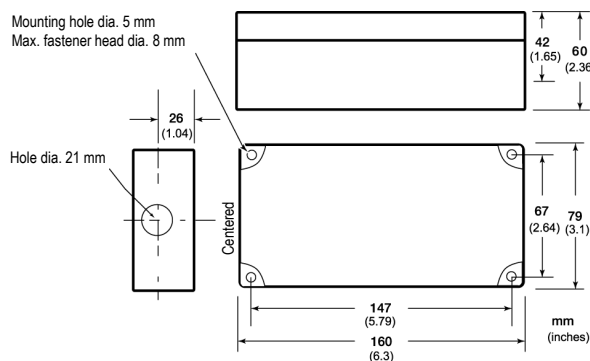
Measurement Specifications

Temperature Range	
62-0902	475 to 900°C
62-1610	750 to 1675°C
62-1910	800 to 1900°C
62-3010	1200 to 3000°C
6G-0820	250 to 800°C
6G-1740	400 to 1700°C
6R-1120	500 to 1100°C
6R-1540	700 to 1500°C
6R-2565	1000 to 2500°C
Spectral Response	
62, 6R	1,0 µm (Si detector)
6G	1,6 µm (InGaAs detector)
System Accuracy	
62	±(0,3% T _{meas} ¹ + 2°C)
62-1610	±3°C
6R	±(0,3% T _{meas} ¹ + 2°C), no attenuation
6R-1120, 6R-1540	±(1% T _{meas} ¹ + 2°C), up to 95% attenuation
6R-2565	±(1,3% T _{meas} ¹ + 2°C), up to 95% attenuation
Repeatability	±1°C
Temperature Resolution	±1°C
Response Time	10 ms (95%), selectable to 10 s
Emissivity	0,10 to 1,00 in 0,01 increments (one-color)
Slope	0,850 to 1,150 in 0,001 increments (two-color)
Signal Processing	Peak hold, averaging

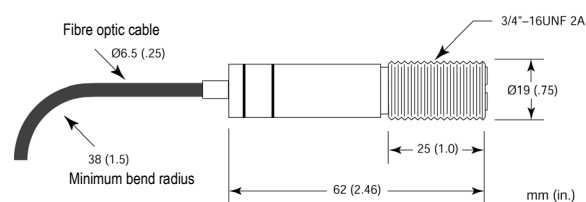
¹ T_{meas} in °C

Dimensions

Electronics Housing



Optical Head



Accessories

The models will be delivered with an adjustable bracket, mounting nuts, support software, and documentation. Additional accessories are available:

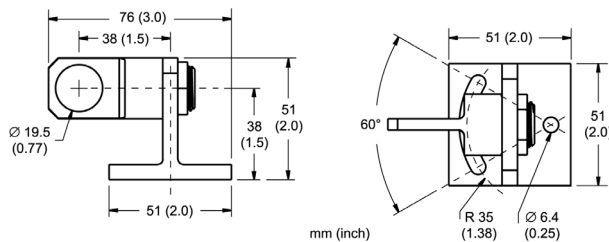
- Fitting systems for mounting or purging available with either flange or gravity-held base including air purge, quick-release connectors, and sapphire window
- Air Purge Collar with protection tube for re-imaging lens (AP-6), air flow 0,5 – 1,5 l per second
- 24 VDC / 1,25 A power supply with universal 110 / 220 VAC input (PS-6)
- Smart RS232/485 interface converters with built-in smart switching allowing for use in either 2-wire or 4-wire mode, in either multi drop or stand-alone mode (485-6)
- Terminal block (TSP-6)
- Terminal block with 24 VDC power supply and IP65 enclosure (POI-6)

Options

Options must be specified at time of order.

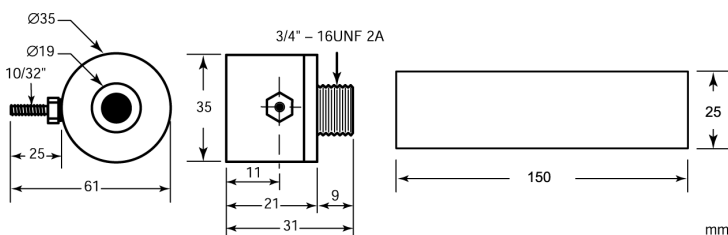
- Fiber optic cable lengths: 1, 3, 6, 10, or 22 m
- ISO Calibration Certificate, based on NIST/DKD certified probes
- High Temperature Fiber Cable (...H), rated to 315°C, option excludes Viton coating and IP65 rating

Adjustable Bracket (MB-6)



Fitting systems for mounting or purging available with either flange or gravity-held base

Air Purge Collar (AP-6)



Optical Specifications

Optical Resolution D : S¹

62-0902	20 : 1
62-1610	100 : 1
62-1910	100 : 1
62-3010	100 : 1
6G-0820	20 : 1
6G-1740	40 : 1
6R-1120	20 : 1
6R-1540	40 : 1
6R-2565	65 : 1

Focus Distances

Standard Focus	∞
Close Focus 1	100 mm
Close Focus 2	300 mm

¹ at 95% energy, D: Distance between sensor and object, S: diameter of spot size

www.ircon.com

60502, Rev. A, 11/2009 – Ircon, the Ircon logo, and Modline are registered trademarks of Ircon Inc. Specifications subject to change without notice. Ircon – a Fluke company – is ISO 9001 certified.

Worldwide Headquarters

Santa Cruz, CA USA
Tel: +1 831 458 – 3900
+1 800 227 – 8074
Fax: +1 831 458 – 1239
info@ircon.com

European Headquarters

Berlin, Germany
Tel: +49 30 47 80 08 0
+44 1908 630 800 (UK)
Fax: +49 30 4 71 02 51
ircon@ircon.eu

